

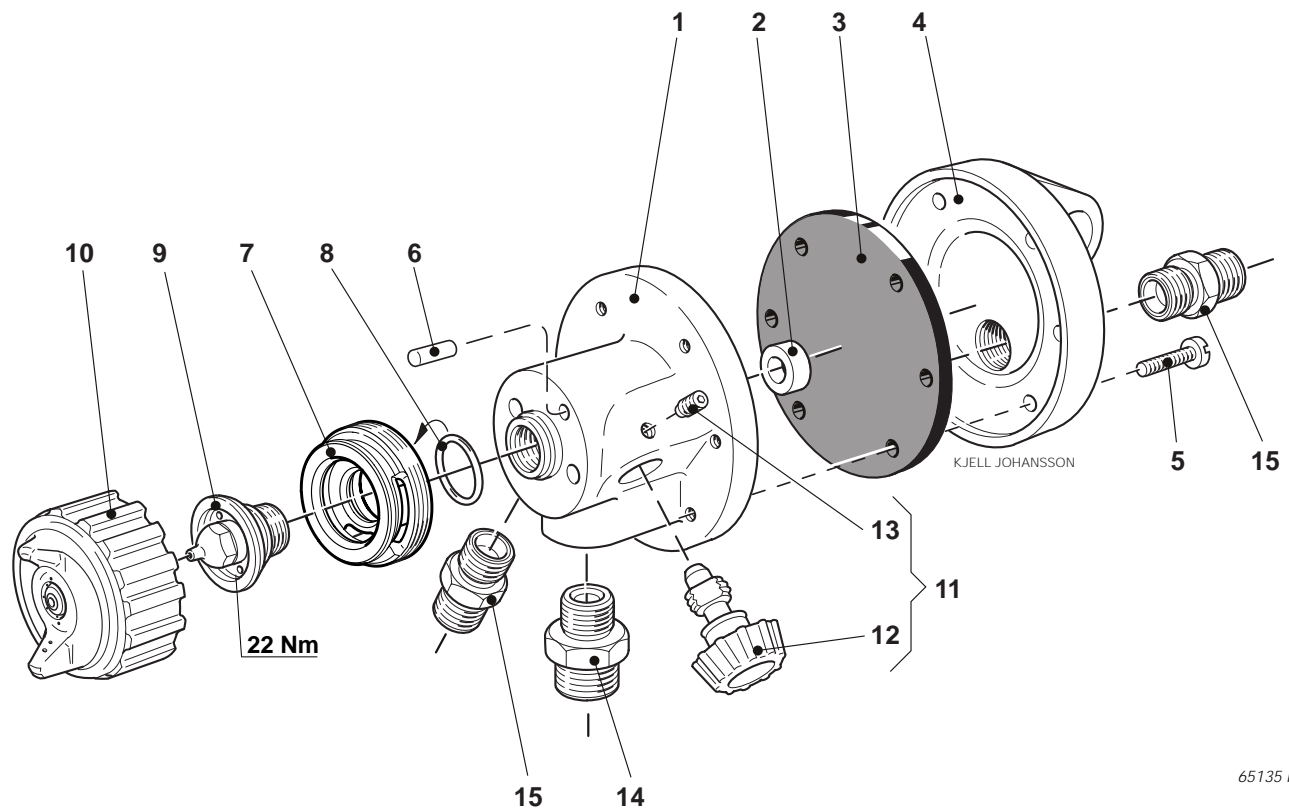
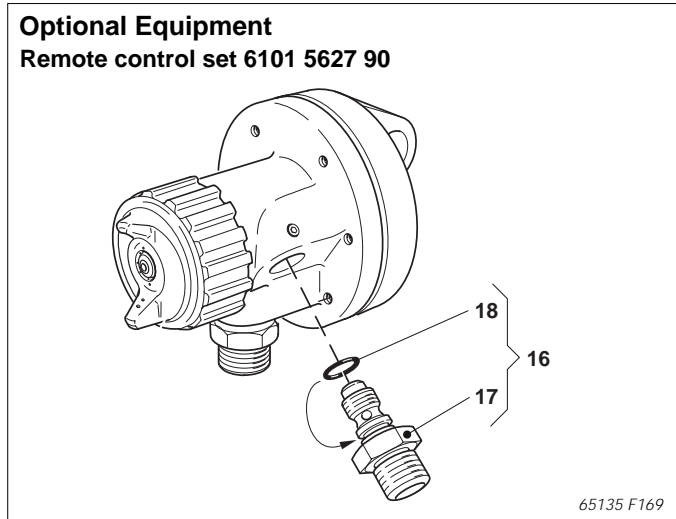
Spare parts list for Automatic Spray Gun

Ecco 40DA



ESL 12/03-04

ECCO 40DA 1.1/T272	Prod. No. 8611 5210 91
ECCO 40DA 1.3/T272	Prod. No. 8611 5210 25
ECCO 40DA 1.3/T274	Prod. No. 8611 5210 33
ECCO 40DA 1.3/275	Prod. No. 8611 5210 90
ECCO 40DA 1.5/T272	Prod. No. 8611 5210 10
ECCO 40DA 1.8/T272	Prod. No. 8611 5210 74
ECCO 40DA 1.8/T274	Prod. No. 8611 5210 66
ECCO 40DA 1.8/275	Prod. No. 8611 5211 24
ECCO 40DA 2.1/T374	Prod. No. 8611 5210 67
ECCO 40DA 2.1/375	Prod. No. 8611 5211 30
ECCO 40DA 2.1/PT274	Prod. No. 8611 5210 70
ECCO 40DA 2.7/T474	Prod. No. 8611 5210 68
ECCO 40DA 2.7/475	Prod. No. 8611 5211 57



Part numbers in **bold type** designate consumption parts.

Ref. No.	Part number	Qty	Description	Ref. No.	Part number	Qty	Description
1	6102 2741 00	1	Spray head	11	6101 5627 00	1	Fan width control, compl.
2	6102 2747 00 ^a	1	Seat	12	6101 5627 80	1	– Fan width control
3	6102 2744 00	1	Diaphragm (NBR [Nitrile])	13	0192 1168 00^a	1	– Screw (T6SS 4 x 6)
4	6102 2743 00	1	Cover	14	6001 2617 00 ^a	1	Nipple (G 1/4 x G 3/8)
5	0160 6041 00 ^a	6	Screw (MCS 4 x 14 fz)	15	6001 2619 00 ^a	2	Nipple (G 1/4 x G 1/4)
6	0101 4131 00	1	Cyl. pin (CP 4h6 x 10 S)	Optional Equipment			
7	6102 1214 00	1	Distributing ring, compl.	16	6101 5627 90	1	Remote control set
8	6101 1724 00	1	– O-ring (PTFE)	17	–	1	– Nipple (G 1/4)
9	(see page 2)	1	Paint nozzle	18	0663 7115 00	1	– O-ring (8.1 x 1.6)
10	(see page 2)	1	Air cap				

^a Loctite 225.

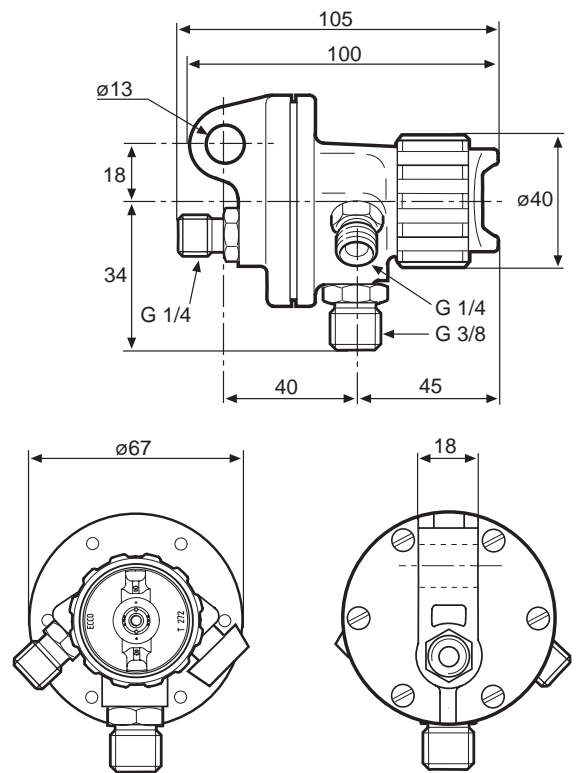


Nozzle combinations

Paint nozzle			Air cap	
Orifice diam. mm	Designation (a)	Part number	Designation	Part number
1.1	1.1	6001 1068 00	T272	6101 2599 00
1.3	{ 1.3 H1.3	6001 0999 00	{ T272 T274 275	6101 2599 00
		6001 1092 00		6101 2602 00
				6101 2590 00
1.5	1.5	6103 1303 00	T272	6101 2599 00
1.8	{ 1.8 H1.8	6000 9140 00	{ T272 T274 275	6101 2599 00
		6001 0768 00		6101 2602 00
				6101 2590 00
2.1	{ 2.1 H2.1	6000 9141 00	{ PT274 375 T374	6101 5785 00
		6000 9876 00		6101 2591 00
				6101 2603 00
2.7	{ 2.7 H2.7	6000 9142 00	{ T474 475	6101 2604 00
		6000 9877 00		6101 2592 00

^a The letter "H" before the figures (e.g., H2.7) denotes tungsten-carbide design.

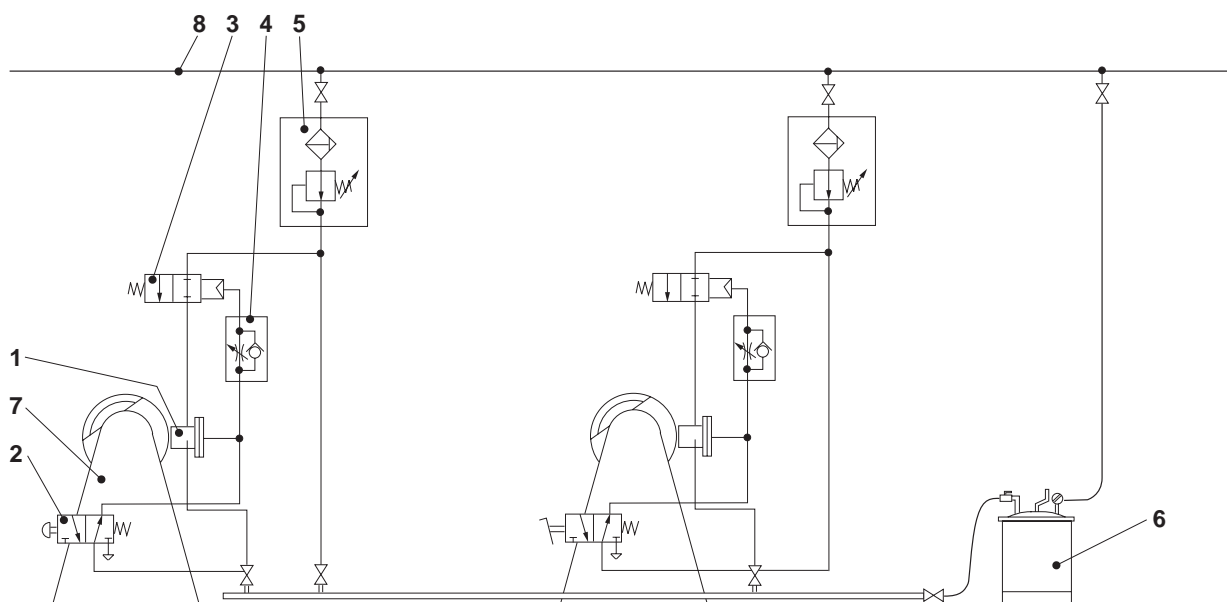
Ecco 40DA



Dimensions in mm.

65135 F107

Spraying of polishing compound with Ecco 40DA



1. Automatic spray gun Ecco 40DA.
2. Manually, electrically or mechanically actuated 3-way valve with return spring, size G 1/8.
3. Air-actuated 2-way valve with spring return, normally open, size G 1/4.
4. Throttle check valve, size 1/8", with a delay of 1.5 2 sec.
5. Air cleaner with reducing valve.
6. Paint pressure feed tank.
7. Polishing machine.
8. Compressed air line.

5942 F137